

HEAD OFFICE & FACTORY

Merryfair Chair System Sdn Bhd
(Co. No. 86276-A)
No.2, Jalan Koporat 1/KU9,
Taman Perindustrian Meru,
42200 Klang, Selangor D.E., Malaysia.

International Sales & Marketing
Tel. +603 3393 2888
Fax. +603 3393 2000
enquiry@merryfair.com

Domestic Sales & Marketing
Tel. +603 3393 6868
Fax. +603 3393 6888
domestic@merryfair.com

SHOWROOM OFFICE

Merryfair Marketing Sdn Bhd
(Co. No. 665054-V)
No. 82-84, Jalan 2/23A,
Jalan Genting Kelang,
53300 Kuala Lumpur, Malaysia.
Tel. +603 4149 8899
Fax. +603 4143 0113

REGIONAL OFFICE & SHOWROOM

美力菲 (中国) 家具有限公司
广东省佛山市顺德区容桂华口顺德高新区(容桂)华天路21号
邮编: 528306
Merryfair (China) Co.,Ltd
No. 21, Huatian Road, Shunde High Tech Industrial Zone
(Ronggui), Huakou Community, Ronggui Subdistrict,
Shunde District, Foshan City, Guangdong, China 528306.
Tel. +86 757 2636 9861
Fax. +86 757 2881 9700
domestic@merryfair.com.cn

Merryfair (Singapore) Pte Ltd
33 Ubi Avenue 3, #01-52/53 Vertex,
Singapore 408868.
Tel. +65 6284 9098
Fax. +65 6284 9028
enquiry@merryfair.com.sg

Merryfair (Thailand) Co.,Ltd.
19/1-2 Sithakarn, Soi Chidlom
Lumpini, Pathumwan
Bangkok 10330 Thailand
Tel : +66 2254 1588
Fax : +66 2254 1585
sales@merryfair.co.th

www.merryfair.com

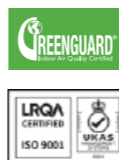
MERRYFAIR®



ZENIT

Seating Products

MERRYFAIR reserves the right to introduce modifications and withdraw models for continuous improvements without prior notice.





Get to know ZENIT

Zenit is a testament to our dedication to blending functionality with exquisite design. Featuring a seamlessly integrated height-adjustable backrest and armrest, this chair ensures a customized seating experience that adapts to your every move effortlessly.

Equipped with a cutting-edge self-weight balance mechanism, this chair revolutionizes comfort by utilizing your weight as the counterbalance for the perfect tilt, promoting optimal posture and support throughout the day.

Designed with the discerning individual in mind, this chair is not only a statement of style but a testament to innovation. Elevate your office experience with our modern full mesh swivel office chair, where comfort meets sophistication in every detail.

The Feature

The permanent lumbar support on Zenit is designed to provide consistent and reliable support to your lower back throughout the day. This feature is strategically integrated into the chair's structure to promote proper posture and reduce strain on your back muscles.

The lumbar support is carefully shaped to follow the natural curve of your spine, offering targeted reinforcement to the lumbar region. By maintaining the natural alignment of your spine, this support helps alleviate discomfort and fatigue, allowing you to sit comfortably for extended periods.

With our chair's permanent lumbar support, you are encouraged to move while seating, the lumbar support will keep intact with your back no matter you are leaning forward or backward. You can enjoy the benefits of improved ergonomic design, better posture, and increased comfort, making it an ideal choice for those seeking a supportive and health-conscious seating solution in their workspace.



In real life, we always move while seating, body contact on the chair may vary, that's why this lumbar support is created.



The Lumbar support allows you to customize the chair to provide optimal support for your lower back.



Standard 50mm seat slide range gives most user needs.



Easy glide ratchet height adjustable backrest to fit user back perfectly.



The lumbar support fit every of your posture.



Headrest

2 Directional headrest.

Backrest

A breathable polyester mesh suspension allows improved ventilation.

Armrest

4-Directional armrest with soft touch arm pads are molded of polyurethane foam. Arm posts are molded using fiber-filled polyamide (100% recyclable) in charcoal colour while height adjustable range for 70mm.

Lumbar

Permanent contact lumbar support provide all time support on user lumbar.

Seat

Upholstered in a breathable polyester mesh and come with seat slide.

Mechanism

Auto weight-sensing synchronized mechanism features 3-positions tilt lock and pneumatic seat control.

Base

Five-prong base of diecast aluminum alloy (100% recyclable) in black epoxy powder coating. 65mm dual-wheel castors of black molded polyamide (nylon).

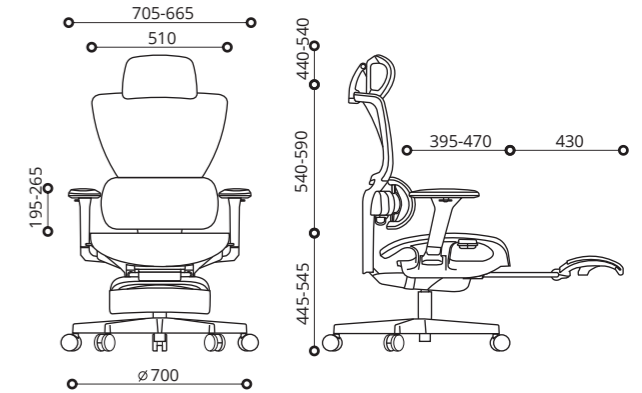
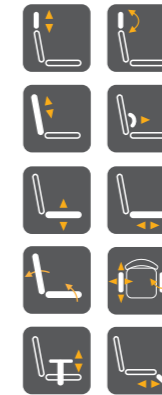
High back with footrest

1349 YR A87 NB



Mid back with footrest

1348 YR A87 NB



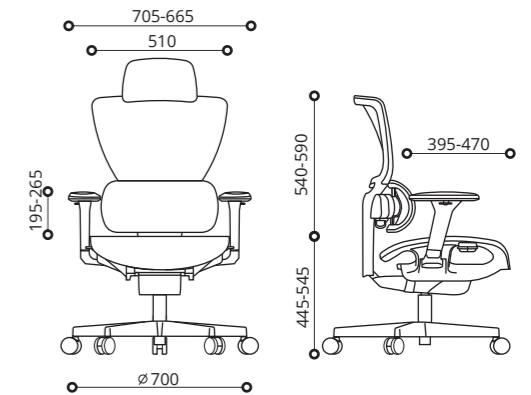
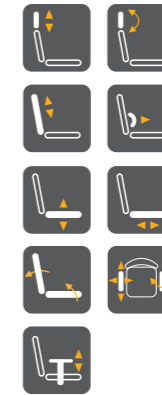
High Back

1359 YR A87 NB



Mid Back

1358 YR A87 NB



Seat Features



Height Adjustable Headrest



Tiltable Headrest



Height Adjustable Backrest



Synchronized Mechanism



Lumbar Support Adjustable



Height Adjustable Armrest



Pneumatic Seat Height Adjustable



Depth-Angle-Width Adjustable armpad
3-way adjustable armpad



Sliding Seat



Retractable Footrest